

1

2

3

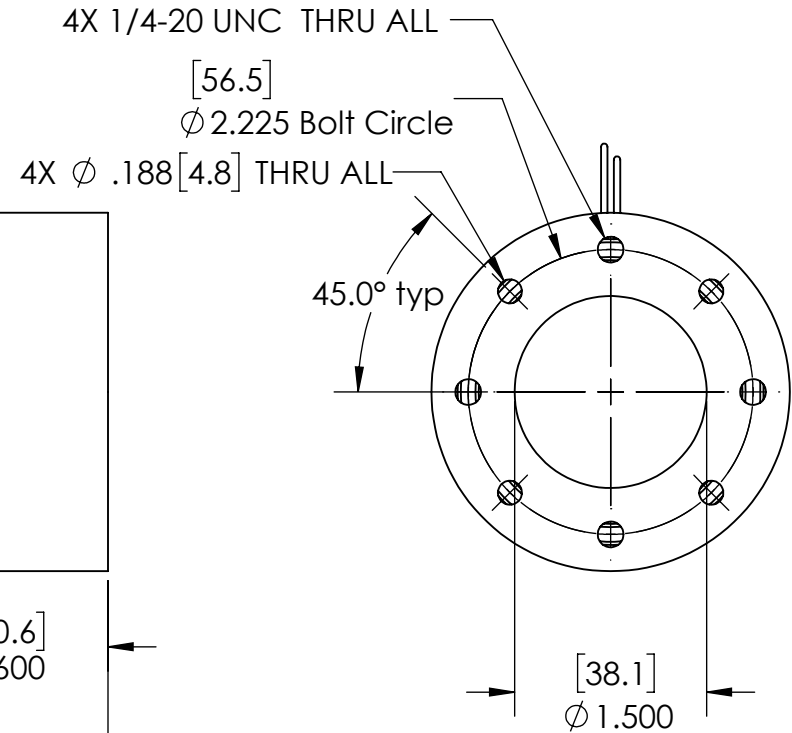
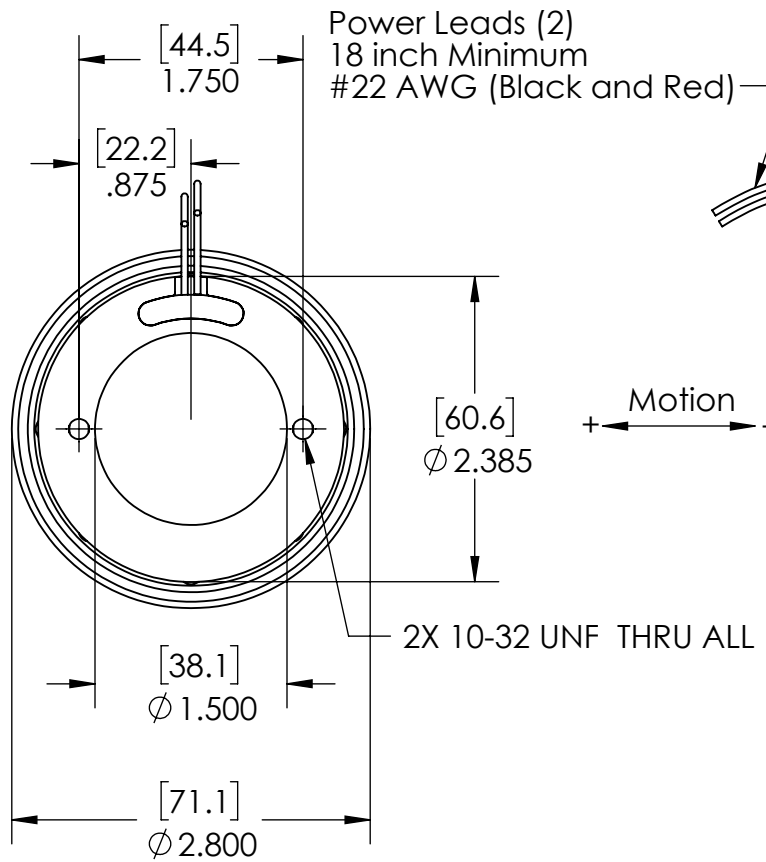
4

5

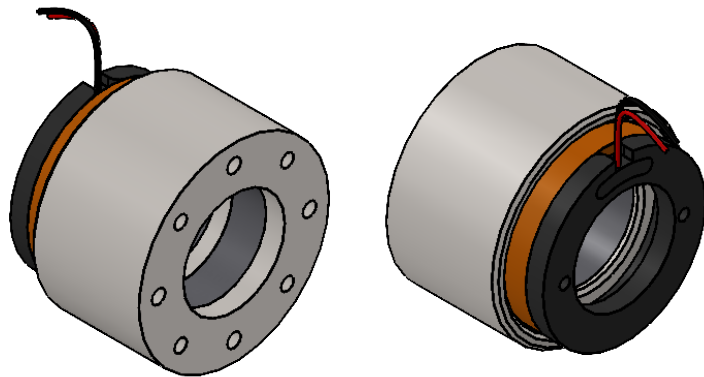
REVISION TABLE

REV	ECN#	DESCRIPTION	REV BY	APPROVED	DATE
---	---	Original Drawing	JRM	MPW	3-2-21

Note:
Models below show actuator fully extended.



When power is applied + to the Red Lead and - to the Black Lead, the coil will move out of the permanent magnetic field assembly.



H2W Technologies, Inc.
Santa Clarita, CA 91350 USA
Tel: (661) 291-1620
www.h2wtech.com

These drawings and specifications are the property of H2W Technologies, Inc. They are issued in confidence and shall not be reproduced, copied, or used without written permission from H2W Technologies, Inc.

UNLESS SPECIFIED OTHERWISE:
All dimensions are in inches
Standard Tolerances are as follows
.XXX ±.005 ANGLES ±.1°
.XX ±.010 FILLETS .010
.X ±.020 CORNERS .010
Remove All Burrs and Sharp Edges

FOR REFERENCE ONLY

MATERIAL
FINISH

TITLE
Voice Coil Actuator
Model#NCC03-28-090-2H

DWG # **30-1561**
REV
DATE 3-2-21 SHEET 1 of 2

1

2

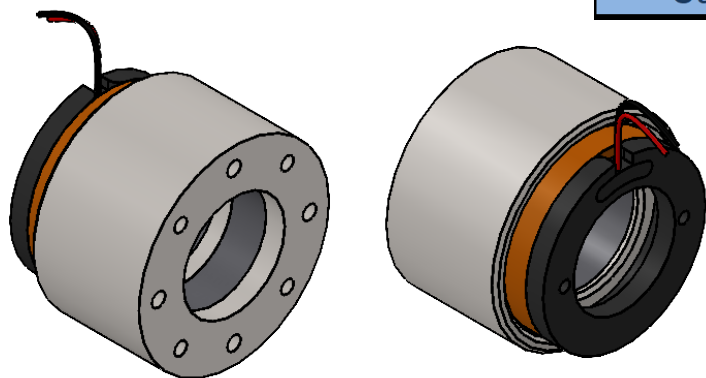
3

4

5

NON-COMM ACTUATOR SPECIFICATIONS

Motor P/N	NCC03-28-090-2H	
Device Type	Moving Coil	
Stroke	0.25 in	6.4 mm
Radial Clearance	0.030 in	0.76 mm
Bearing Type	None	
Moving Mass	0.30 lbs	135 grams
Total Mass	1.70 lbs	760 grams
Resistance @ 20C	3.50 ohms \pm 0.5 ohms	
Inductance @ 20C	2.5 mH \pm 0.5 mH	
Electrical Time Constant	0.71 msec	
Motor Constant	1.64 lbs/sqrt(watt)	7.31 N/sqrt(watt)
Force Constant	3.1 lbs/amp	14 N/amp
Back EMF	0.32 V/ips	14 V/m/sec
Force @ 100% Duty	9.0 lbs	40 N
Power @ 100% Duty	30 watts	
Current @ 100% Duty	2.9 amps	
Force @ 10% Duty	27 lbs	120 N
Power @ 10% Duty	270 watts	
Current @ 10% Duty	8.8 amps	



When power is applied + to the Red Lead and - to the Black Lead, the coil will move out of the permanent magnetic field assembly.



H2W Technologies, Inc.
Santa Clarita, CA 91350 USA
Tel: (661) 291-1620
www.h2wtech.com

These drawings and specifications are the property of H2W Technologies, Inc. They are issued in confidence and shall not be reproduced, copied, or used without written permission from H2W Technologies, Inc.

UNLESS SPECIFIED OTHERWISE:
All dimensions are in inches
Standard Tolerances are as follows
.XXX \pm .005 ANGLES \pm .1°
.XX \pm .010 FILLETS .010
.X \pm .020 CORNERS .010
Remove All Burrs and Sharp Edges

**FOR
REFERENCE
ONLY**

MATERIAL

FINISH

TITLE

Voice Coil Actuator
Model#NCC03-28-090-2H

DWG # **30-1561**

REV

DATE

3-2-21

SHEET

2 of 2